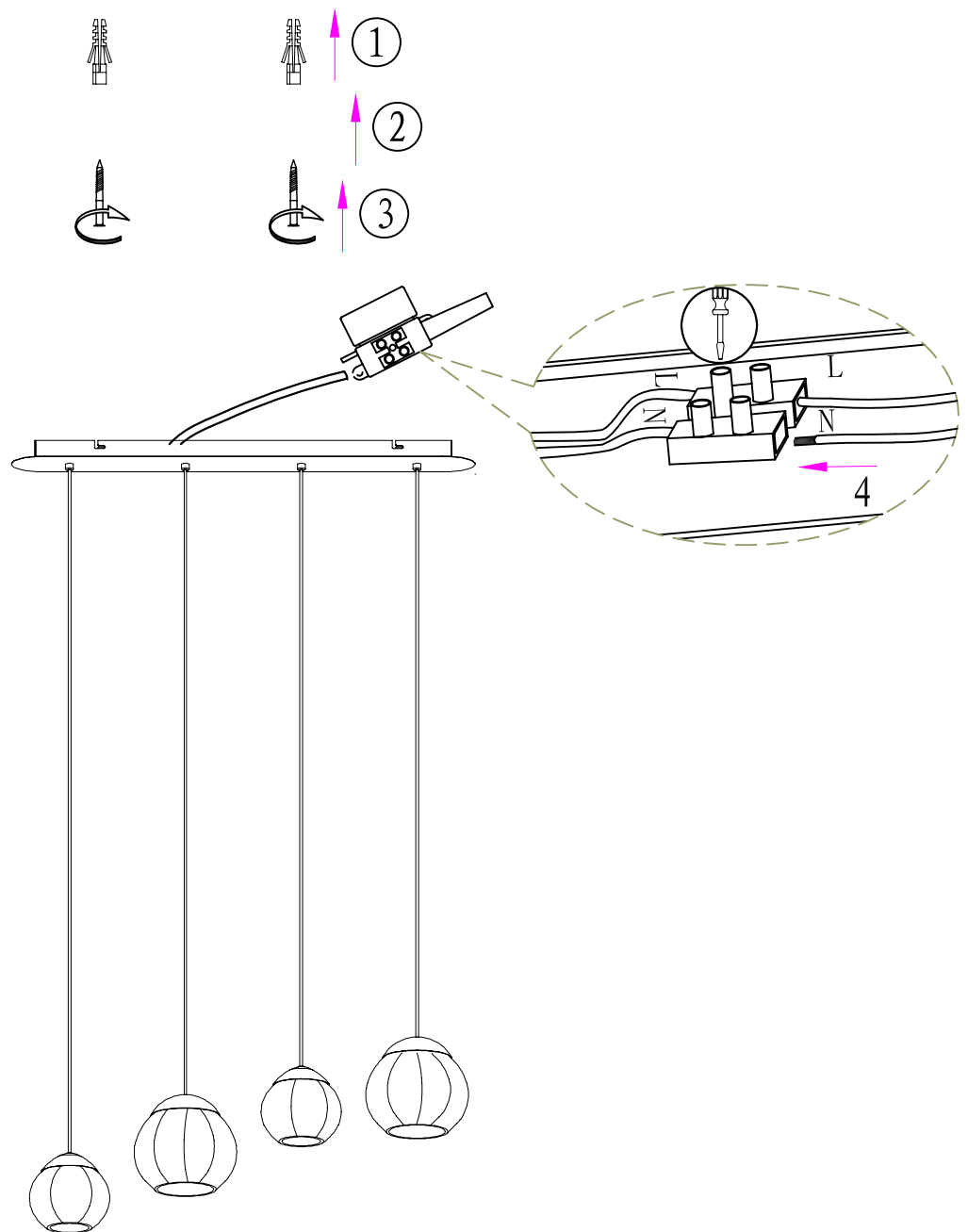


INSTALLATION INSTRUCTION

Ref. 5910/046



Cable regulation:

- 1- Unscrew the upper embellisher
- 2- Adjust the silicon ring and the toric joint at the desired height
- 3- Fix the position placing back the upper embellisher

Regulación del cable:

- 1- Desenroscar el tapón
- 2- Ajustar la arandela de silicona y la junta tórica a la altura deseada
- 3- Fijar la posición apretando el tapón

FEATURE

- 220-240V~ 50Hz Driver 16W 350mA included
- Led 350mA 3W included

The lamp can be only indoor used

If in doubt, consult a qualified electrician or contact your retail outlet. Ensure that you always install the fitting to the relevant regulations. Certain regulations indicate that lighting fittings should be installed by a qualified electrician.